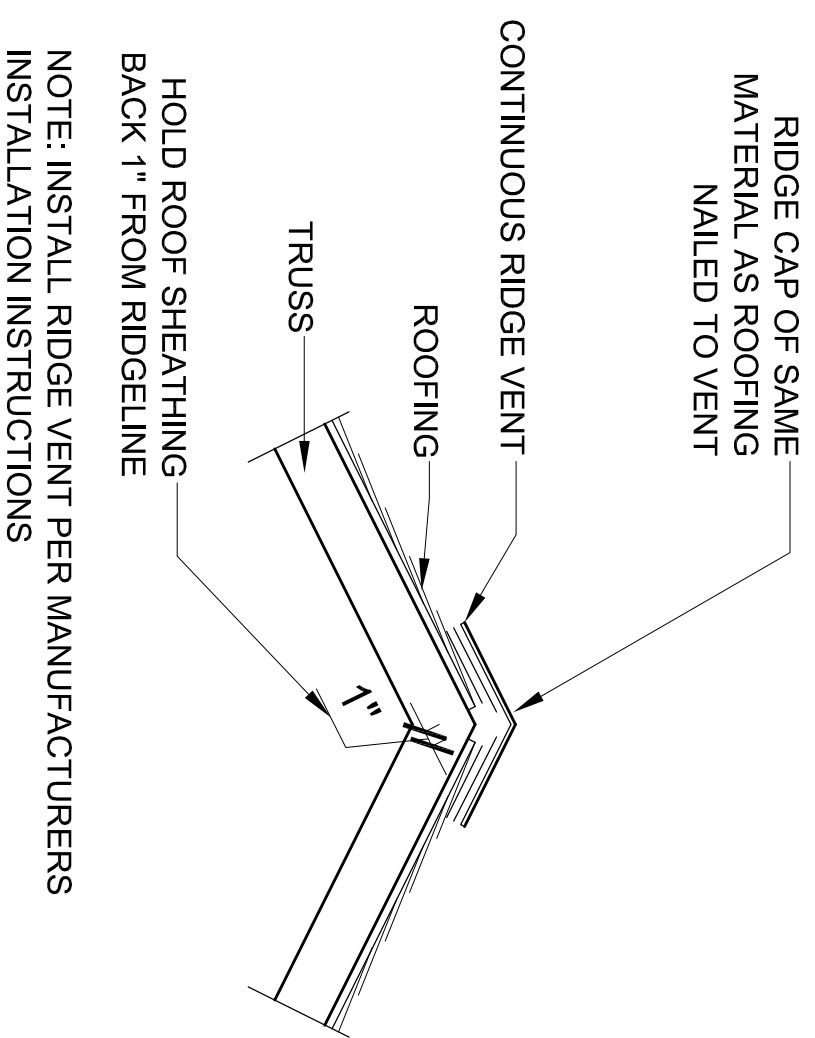
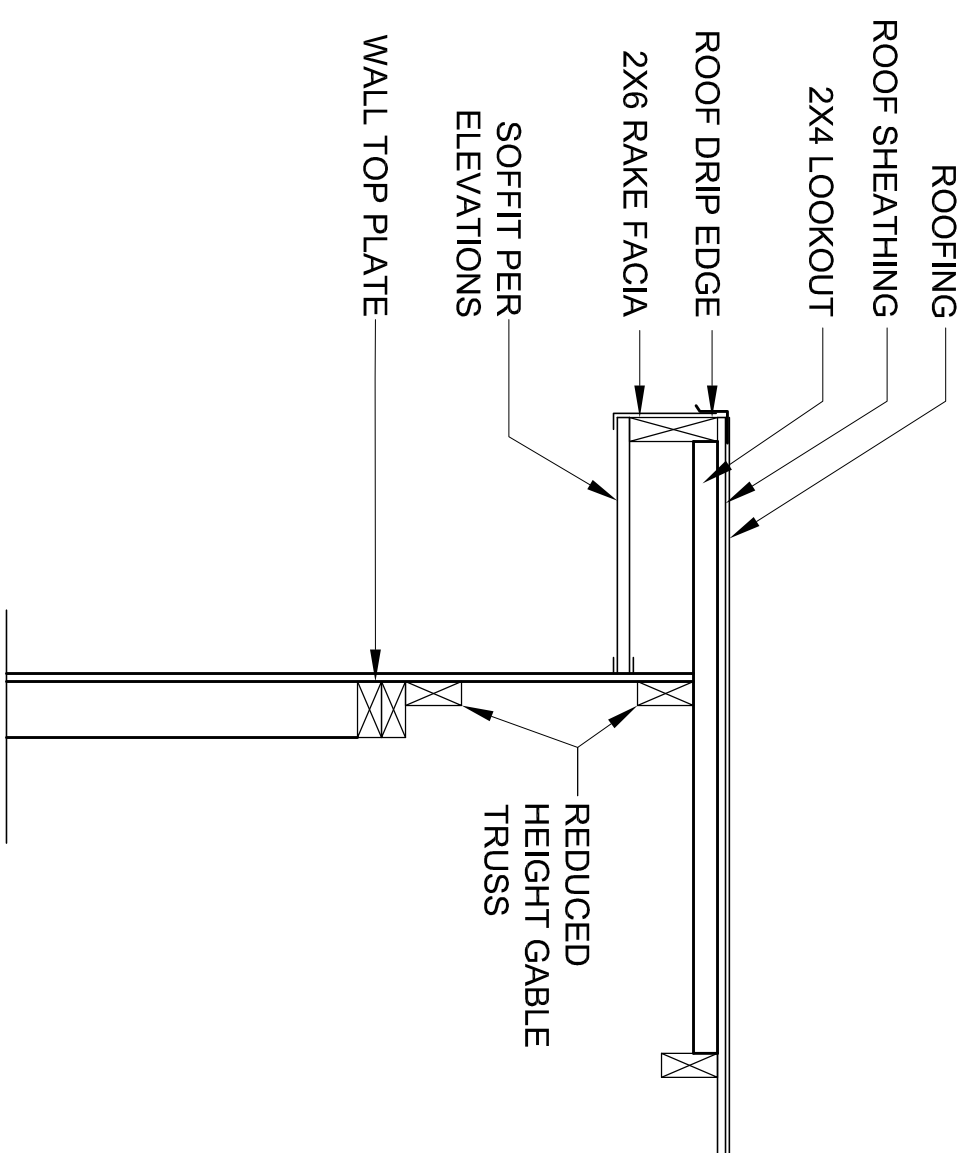


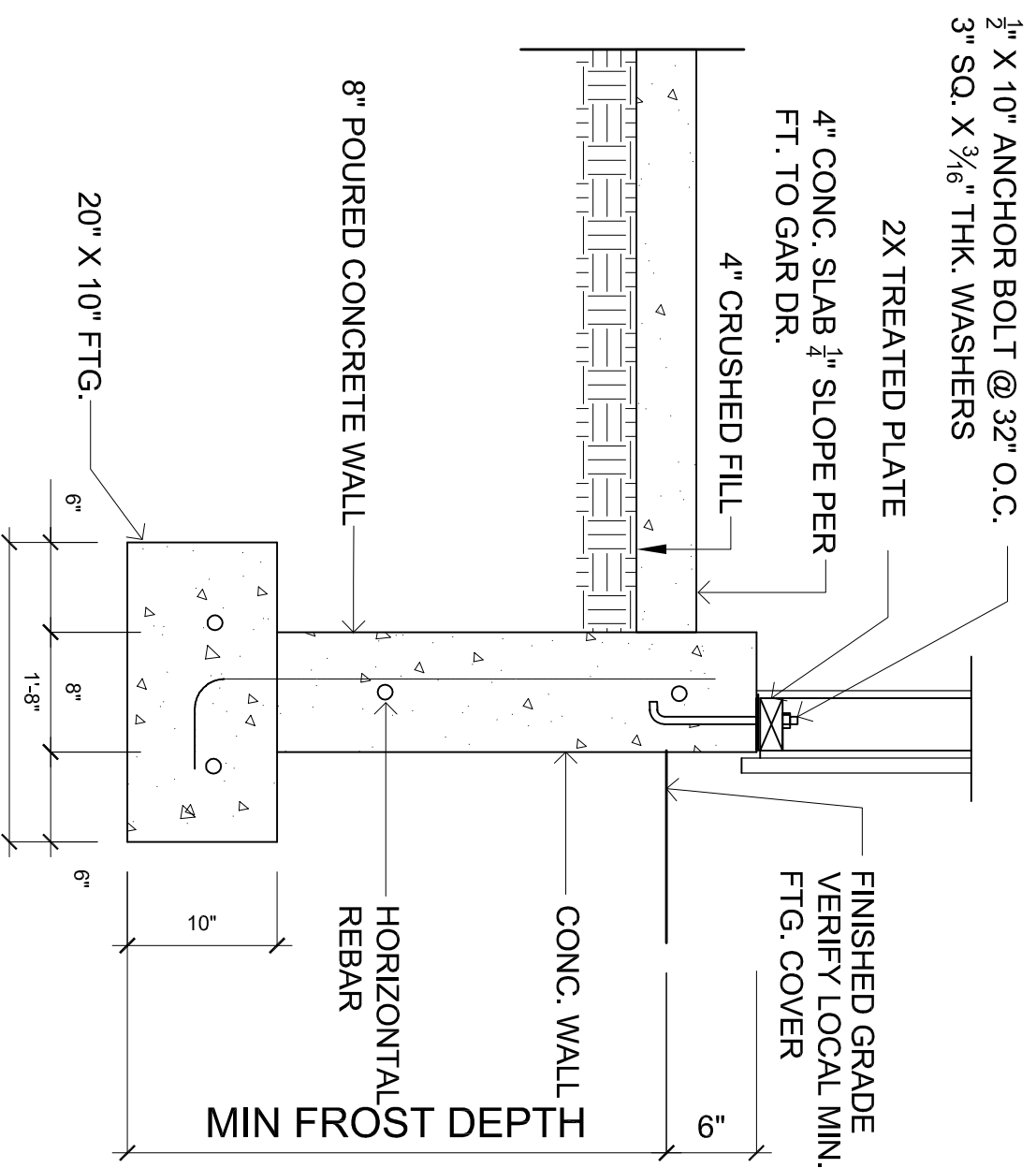
**1** TRUSS CONNECTION TO WALL  
 1" = 1'-0"



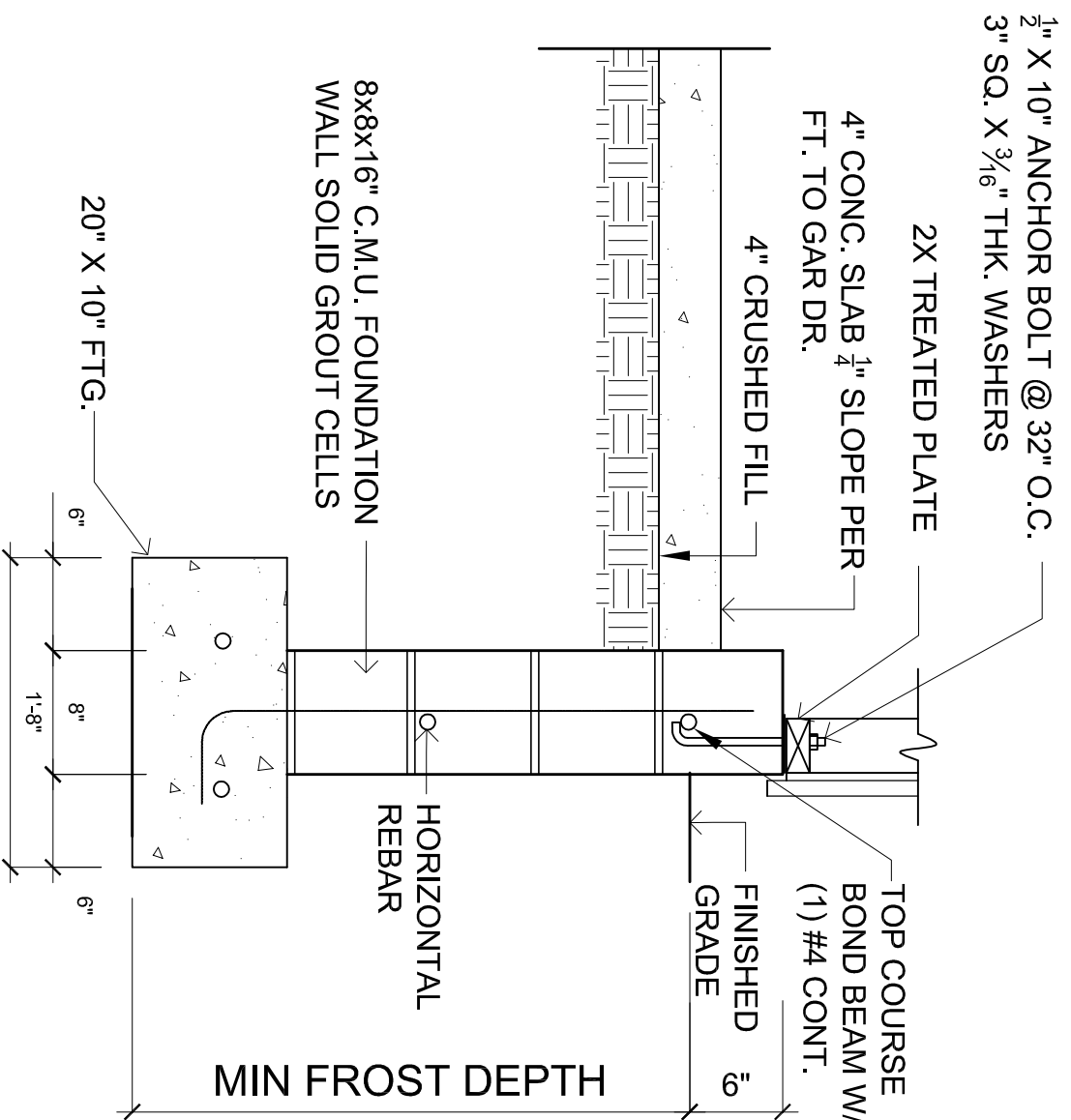
**2** RIDGE VENT DETAIL  
 1" = 1'-0"



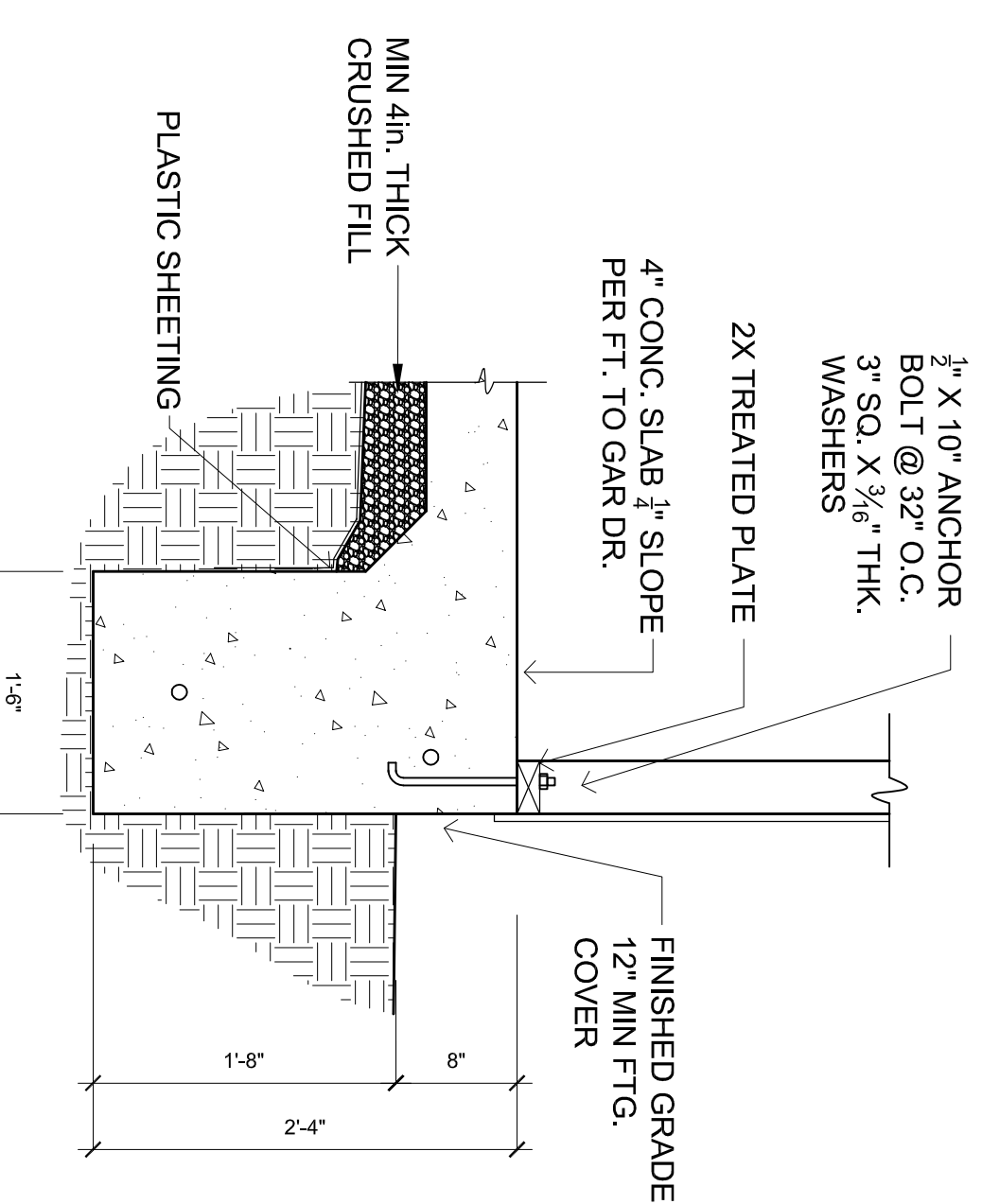
**3** ROOF RAKE DETAIL  
 1" = 1'-0"



**4** FOOTING AT GARAGE EXTERIOR  
 1" = 1'-0"



**5** C.M.U. FOOTING AT GARAGE EXTERIOR  
 1" = 1'-0"



**6** MONOLITHIC SLAB WITH FOOTINGS  
 1" = 1'-0"

PLAN NO. 18x24-1C1D

# GARAGE PLANS

Big Idea Designs  
 www.icreatables.com  
 707-901-SHED (7433)

A4.2

DETAILS

SCALE: 3/4" = 1'-0"  
 DATE: